

# ELMARK<sup>®</sup>

The Brand of Electricity

## EMERGENCY DRIVER FOR LAMP

## WITH EXTERNAL DRIVERS



### [DESCRIPTION »](#)

The emergency lighting is aimed to be used in all cases when the power of the normal lighting is canceled due to occur of the emergency – an electric shock, fire, earthquake and etc. This assures the lighting needed and its continuous visibility, needed for the unimpeded leaving of the building through the emergency exits and it assures the ability for the easy recognition of the fireproof equipment and the signalization tools, positioned on the emergency roads.

The emergency blocks, offered by us, are suitable for autonomic lighting systems. They are with built in batteries and guarantee the autonomic switching on of the lighting body to which they are connected, if an emergency occurs, using the energy reserve of the battery. Similar lighting bodies do not need special power lines and they can be mounted anywhere, without a special need of support. Its main advantage is their independency of special built emergency lines and even if there is a damage in one of the emergency lightings, all the others will keep on working. This gives an additional security and reliability of the whole emergency system.

## FEATURES »

- ∴ The housing of this emergency driver adopts good-quality aluminum and flame-retardant plastic.
- ∴ It has low weight and being convenient to install, so you can rest assure its safety.
- ∴ Battery adopts Li-ion battery with long lifespan.
- ∴ Its PCB adopts SMT technology, using IC control design in charging/discharging and power supply part.
- ∴ PCB uses fully automatic SMT technology, PCB core use PN8355, DW01 and M8205A IC chips which are especially for emergency lights and Li-ion battery protections.
- ∴ PCB circuit has the complete protection designs for over charging/discharging.

## OPERATED PRINCIPLE »

The emergency driver is being charged when AC power works, when fully charged, the circuit will protect the battery from over being-charged, and the emergency is standing by as soon as the battery is fully charged. When AC power is down, emergency driver supplies power to LED fixtures and they up light to the way to escape.

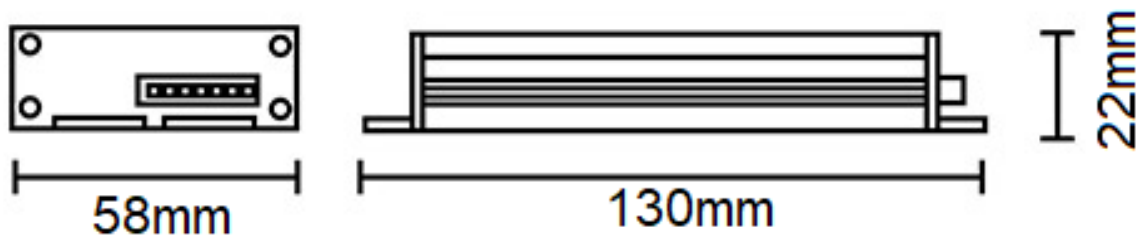
## TECHNICAL DATA »

- ∴ Input voltage: 85-265V AC
- ∴ Battery: 3.7V 2400mAh
- ∴ Emergency switch time: <2s
- ∴ Suitable: for LED lamp with external driver and power 3-50W
- ∴ Emergency time: >120min
- ∴ Working temperature: from -5 to +45°C
- ∴ IP Rate: IP30

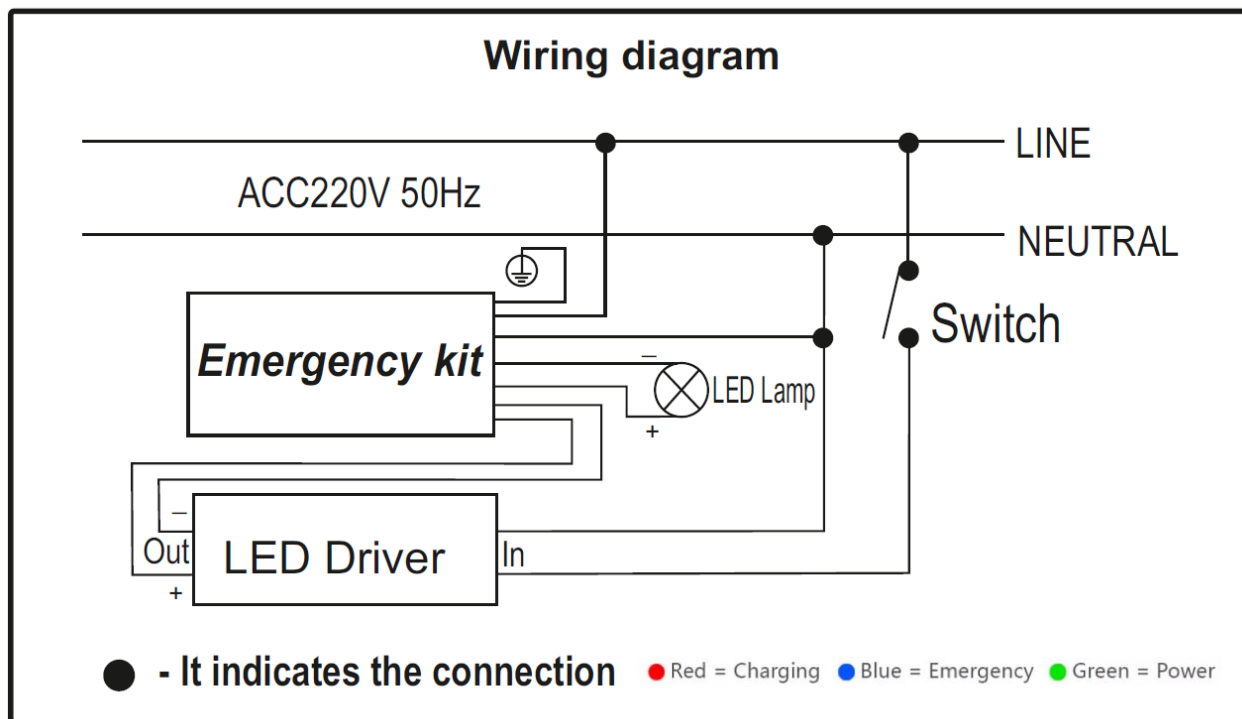
## PRODUCT DETAILS »

Catalogue number	Charging time	Emergency time	Emergency switch time
89229	24h	>120min	<2s

DIMENSIONS »



WIRING DIAGRAM »



ADDITIONAL INFORMATION »

Catalogue number	Barcodes	Packing/Box (pcs)
89229	3800131228789	1/100

